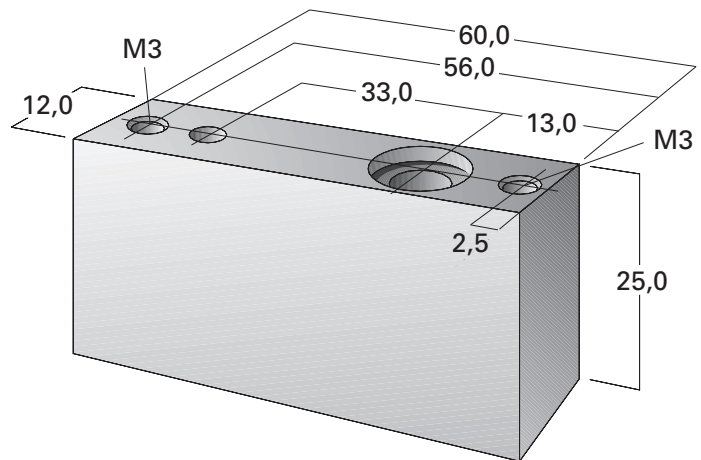


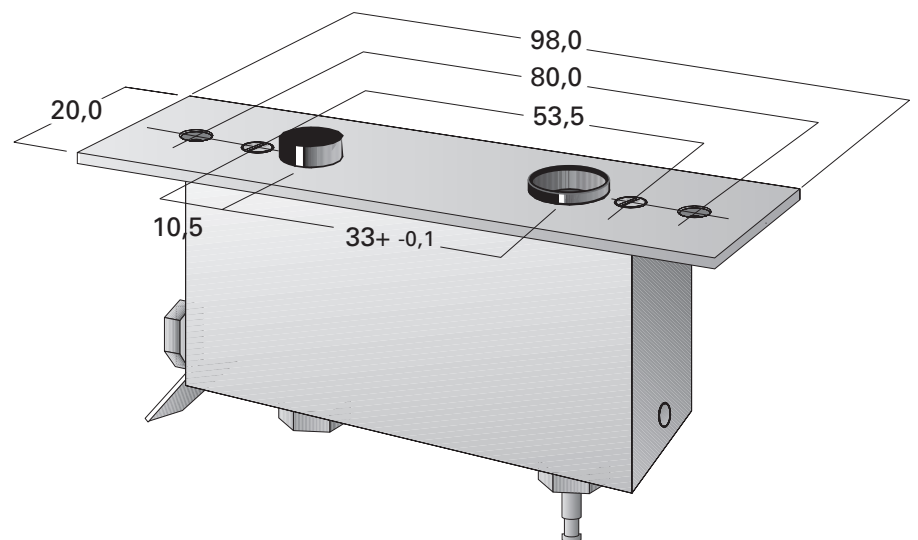
1.6 Single components for automation and testing technology

Available types of cases (dimensions in mm) for the LKV-12 model series

Standard case



Standard case with cover plate dimensions



Special case of the LKV-12/VA model series
For small grid sizes,
preferably for circle arrangement.

